

# CB Educational Percussion



2010  
**2011**

**Educational Kits  
Spare Parts  
Catalog**



## Educational Kit Spare Parts Catalog

### Table of Contents

#7106 Combination Snare/Percussion Kit	pages 1, 2
#8674 / #8676 Percussion Kits	pages 3, 4
#IS678BP / #IS678MC / #IS678TR Snare Drum Kits	page 5
#3675 Snare Drum Kit	page 6
#3650 Practice Pad Kit	page 7
#6854 / #6855 Bell Kits	page 8
#6853 Bell Kit	page 9



# #7106 Combination Snare/Percussion Kit

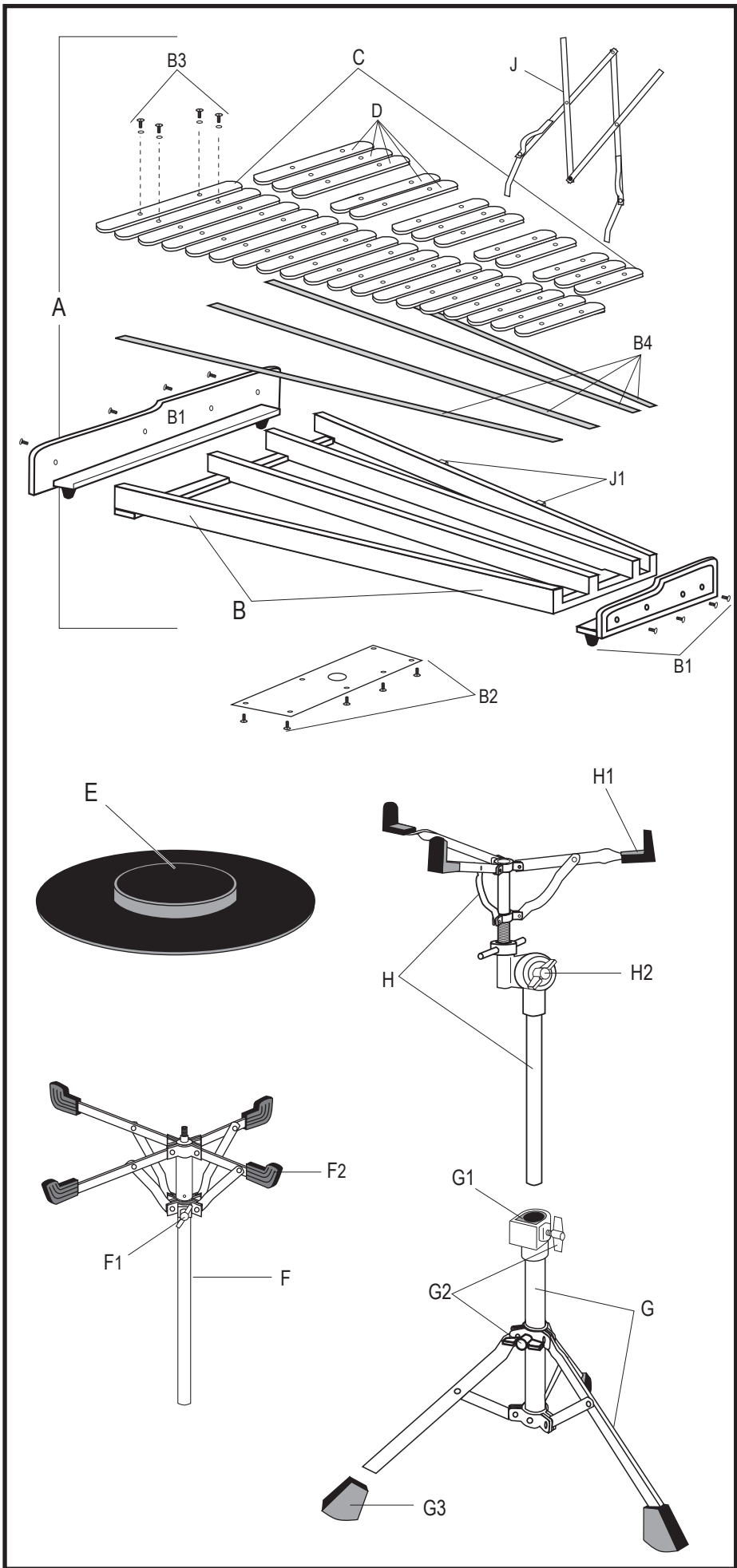
- | part #     | description                                    |
|------------|--|
| A #V2100   | Frame & Bars complete (w/o CBE-15)             |
| B #V2132   | 32-note Frame with Neoprene (w/o CBE-15)       |
| B1 #CBE-17 | ABS Side Plates (2 qty.) w/ 24 screws          |
| B2 #CBE-15 | Frame Mounting Plate                           |
| B3 #V2122  | Screw & Grommet Kit (64 qty.)                  |
| B4 #CBE-50 | Neoprene Set (4) w/ screws (12)                |
| C #V2110   | Bars (complete set)                            |
| D #CII     | Individual Bars (order by note & number below) |

F#	G#	A#	C#	d#	f#	g#	a#	c#	d#	f#	g#	a#
0	1	1	1	1	1	2	2	2	2	2	3	3

F	G	A	B	C	d	e	f	g	a	b	c	d	e	f	g	a	b	c
0	1	1	1	1	1	1	1	2	2	2	2	2	2	2	3	3	3	3

- |            |  |
|------------|--|
| E #4288    | 14" Gladstone Style Practice Pad                     |
| F #CBE-16  | Bell/Pad Stand Top / Platform Style                  |
| F1 #CBE-46 | Wing Screw for Bell/Pad Stand Top                    |
| F2 #CBE-47 | Rubber Arms for Bell/Pad Stand Top                   |
| G #CBE-11S | Stand Base   |
| G1 #CBE-19 | Nylon Bushing for Height Adjustment                  |
| G2 #CBE-45 | Wing Screw for Stand Base (each)                     |
| G3 #CBE-12 | Rubber Feet for Stand Base (each)                    |
| H #V2360   | Snare Stand Basket                                   |
| H1 #V2365  | Rubber Sleeves (3) for Snare Std. Basket             |
| H2 #V2361  | Wing Bolt & Nut for Snare Stand Basket               |
| J #CBE-14  | Music Rack   |
| J1 #CBE-48 | Music Rack Mounting Kit, w/ clips (2) and screws (4) |



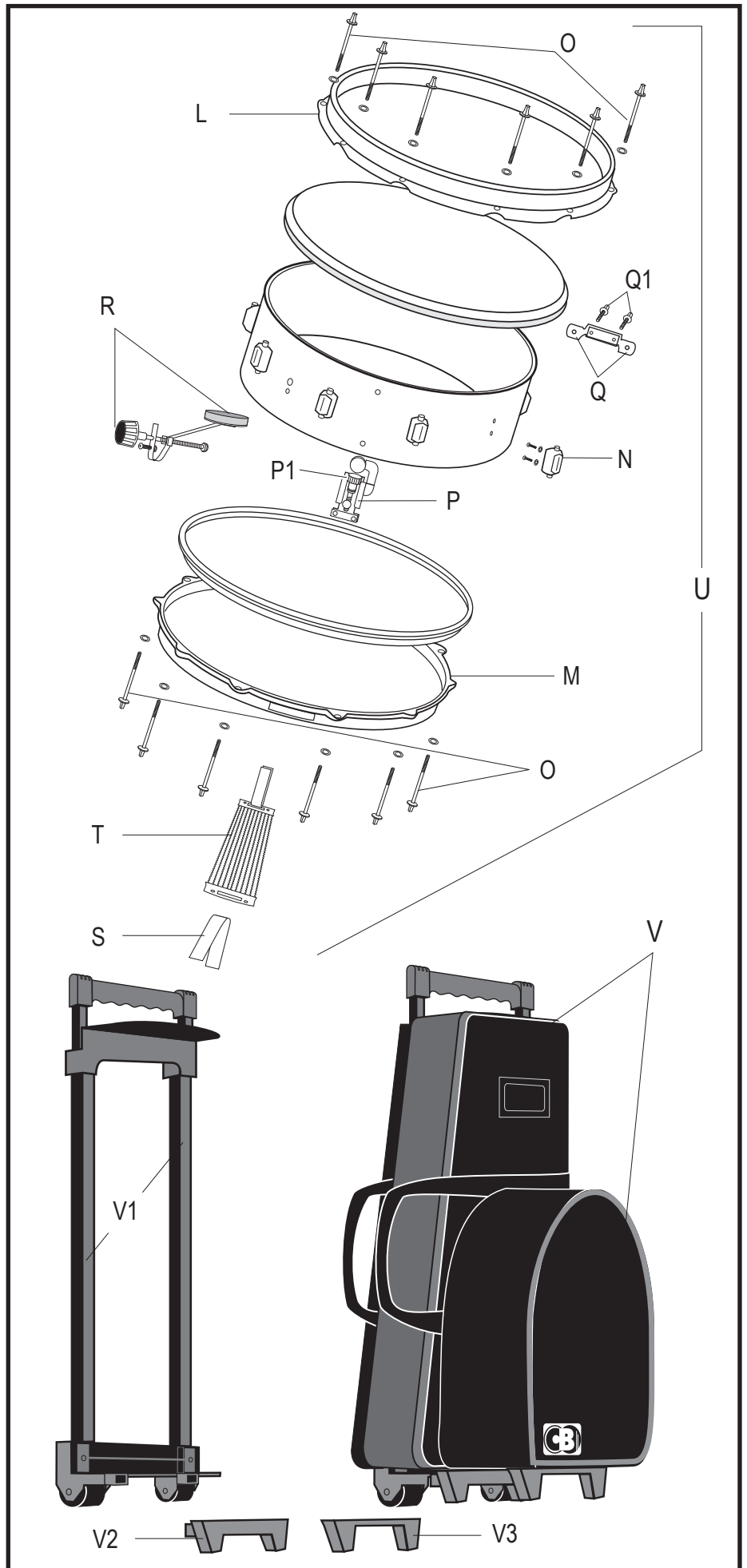
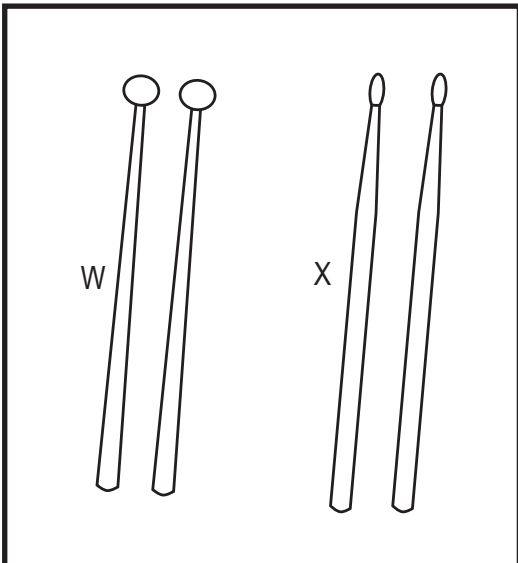
#7106 Combination Kit continued on next page.



## #7106 Combination Snare/Percussion Kit

part #	description
* L #SC-1410BS	14" Batter Hoop (10 lug)
* M #SC-1408SS	14" Snare Hoop (10 lug)
N #CBE-68	Tension Casing (each)
O #CBE-69	Key Tension Rod w/ washer (each)
P #CBE-70	Throw-Off
P1 #CBE-73	Fine Tuner Knob for Throw-Off
* Q #SC-SSBE	Butt
Q1 #CBE-74	Adjustment Bolt for Throw-Off & Butt (ea.)
* R #SC-4400	Internal Tone Control
* S #SC-NSC	Nylon Snare Strip (4 pack)
T #SC-4467	14" Snares (20 strand)
U #7106SD	3.5"x14" Piccolo Snare Drum complete
V #7106B	Traveler Bag (complete)
V1 #V2473	Handle/Wheels Assembly for #7106B
V2 #V2476	2" Bumper Feet (under Bell Compartment)
V3 #V2477	3" Bumper Feet (under Snare Comp.)
W #CBE-18	Mallets (1 pair)
X #SD1	Vic Firth Drumsticks (1 pair)

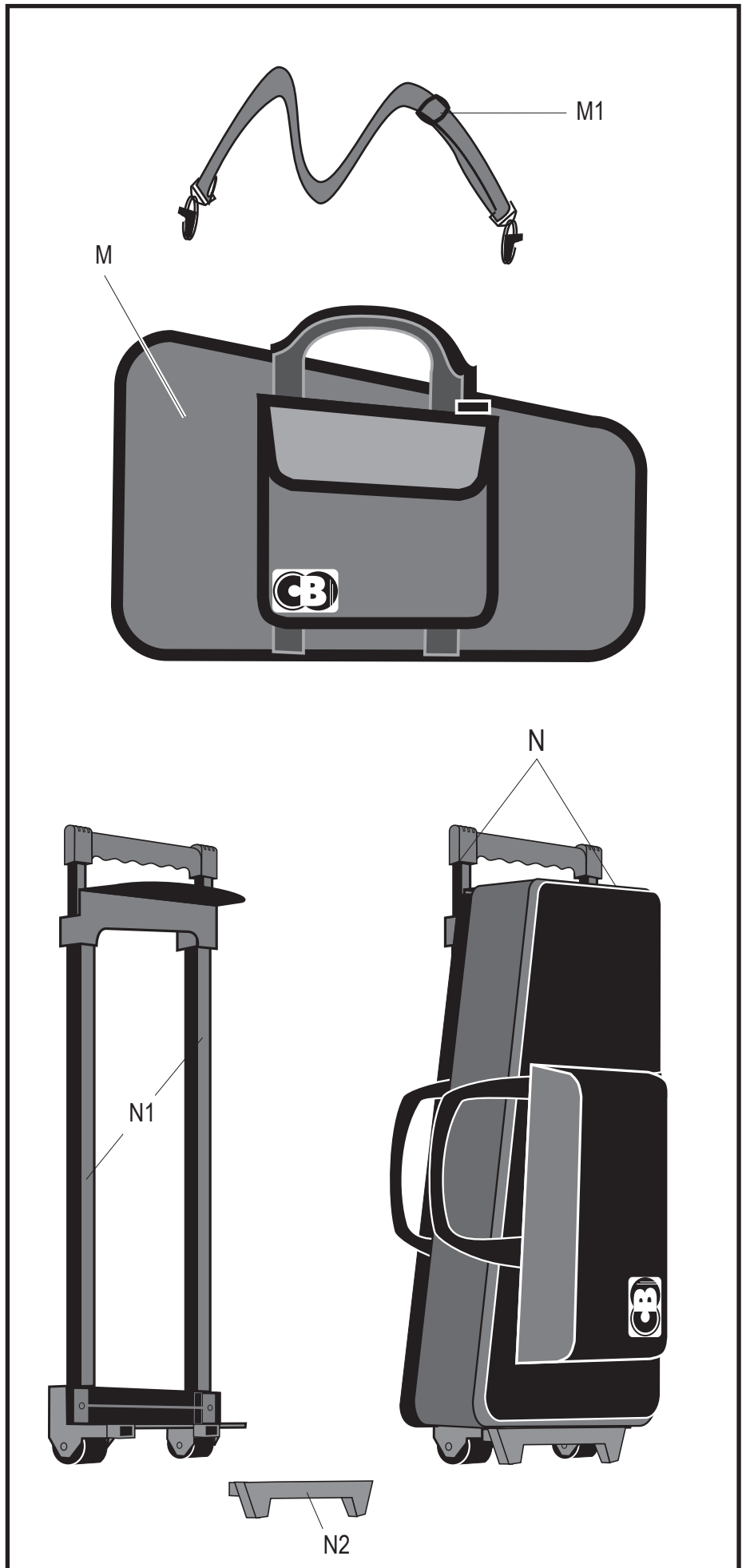
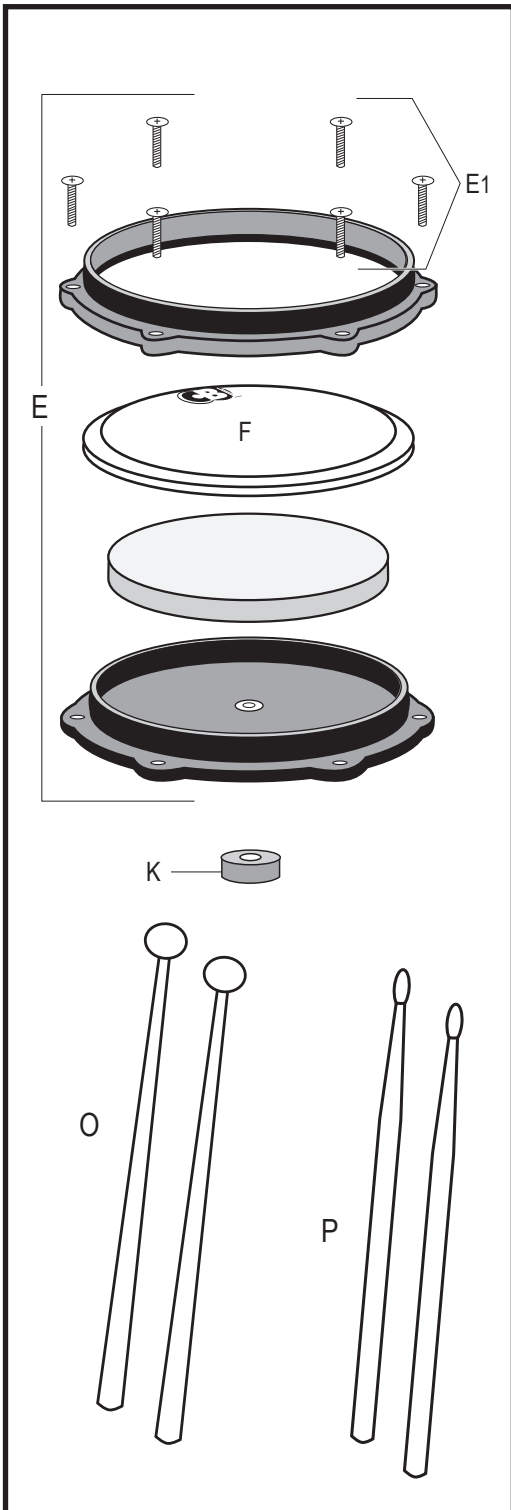
\*Asterisk indicates parts only available through your sales agent - consult Gibraltar Service Center Catalog







#8674 / #8676 Percussion Kits

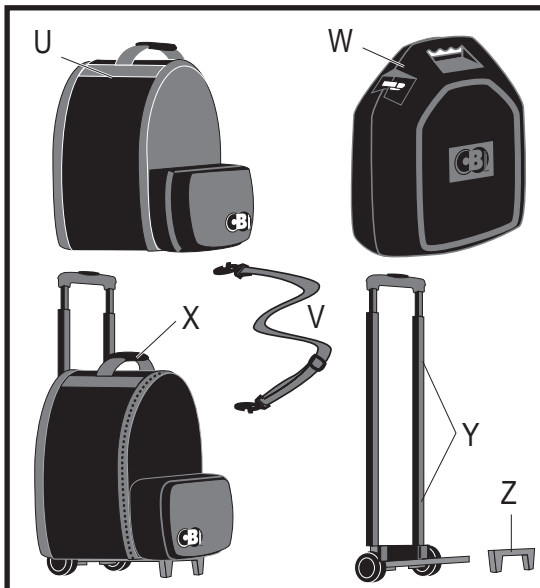
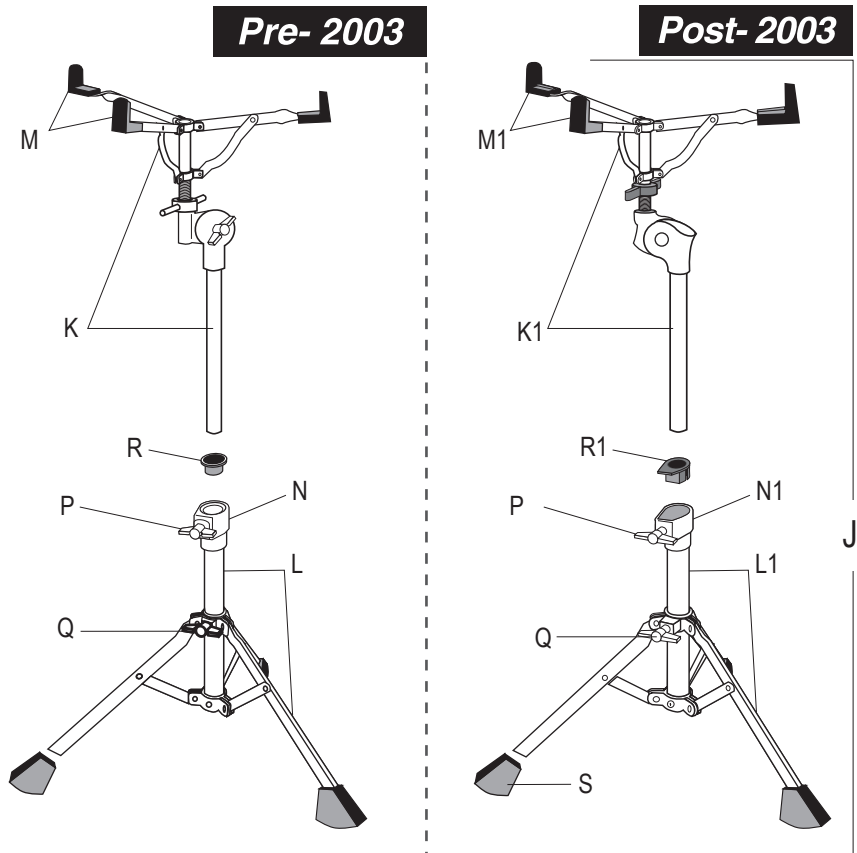
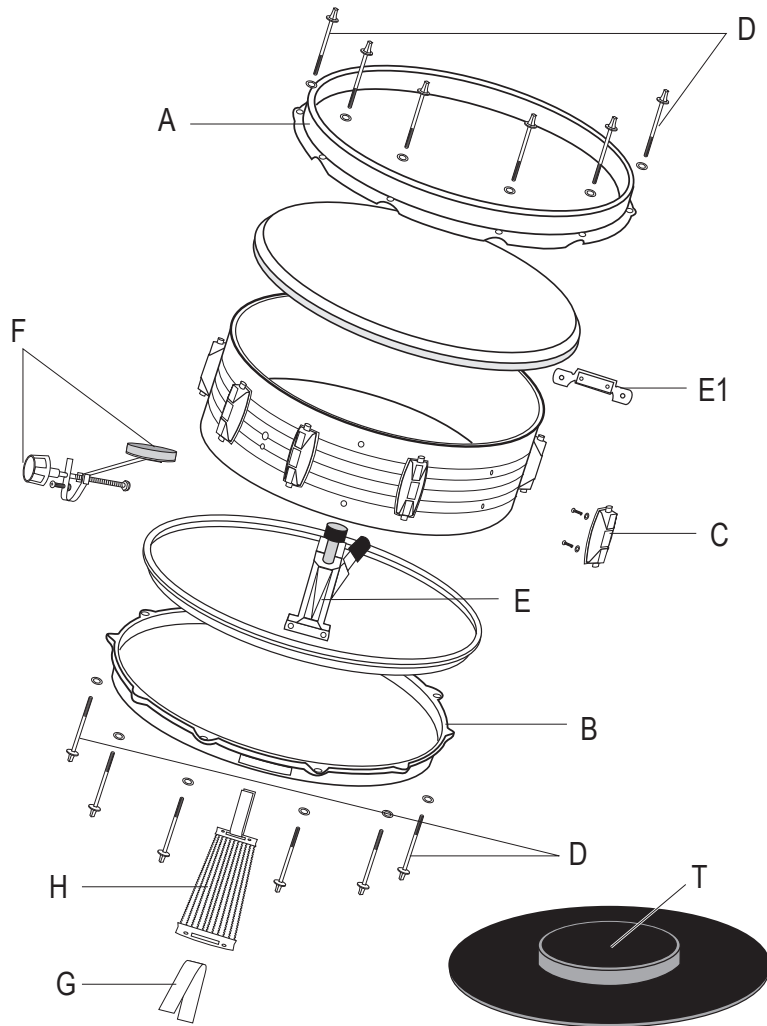




# #IS678BP / IS678MC / IS678TR Snare Drum Kit

part #	description
A #4960	14" Batter Hoop (10 lug)
B #4961	14" Snare Hoop (10 lug)
C #CBE-57	Tension Casing (each)
D #4630	Key Tension Rod w/ washer (each)
E #CBE-77	Throw-Off
* E1 #SC-SSBE	Butt
* F #CBE-60	Internal Tone Control
* G #SC-NSC	Nylon Snare Strip (4 pack)
H #SC-4459	Snare (16 strand)
J #IS678STD	Stand, complete
K #CBE-20	Stand Top, complete (pre-2003, 3/4" tube base)
K1 #CBE-20A	Stand Top, complete (post-2003, 1" tube base)
L #CBE-21	Stand Base, complete (pre-2003, 3/4" tube base)
L1 #CBE-21A	Stand Base, complete (post-2003, 1" tube base)
M #CBE-26	Rubber Sleeves, 3 qty, for 3/4" tubing stands
M1 #CBE-33A	Rubber Sleeves, 3 qty, for 1" tubing stands
N #CBE-66	Height Adjustment Collar (pre-2003, 3/4" tube)
N1 #CBE-66A	Height Adjustment Collar (post-2003, 1" tube)
P #CBE-59	Height Adjustment Wing Screw
Q #CBE-23	Wing Screw for Tripod Base
R #CBE-24	Nylon Bushing (pre-2003, 3/4" tube base)
R1 #CBE-24A	Nylon Bushing (post-2003, 1" tube base)
S #CBE-25	Rubber Feet (3 qty)
T #4288	14" Gladstone Style Practice Pad
U #IS678B	Backpack Bag w/ Straps
V #CBE-22	Shoulder Straps (2 qty)
W #IS678C	Molded Case
X #IS678TB	Traveler Bag
Y #V2472	Handle/Wheels for #IS678TB Traveler Bag
Z #V2475	Bumper Feet for #IS678TB Traveler Bag

\*Asterisk indicates parts only available through your sales agent - consult Gibraltar Service Center Catalog

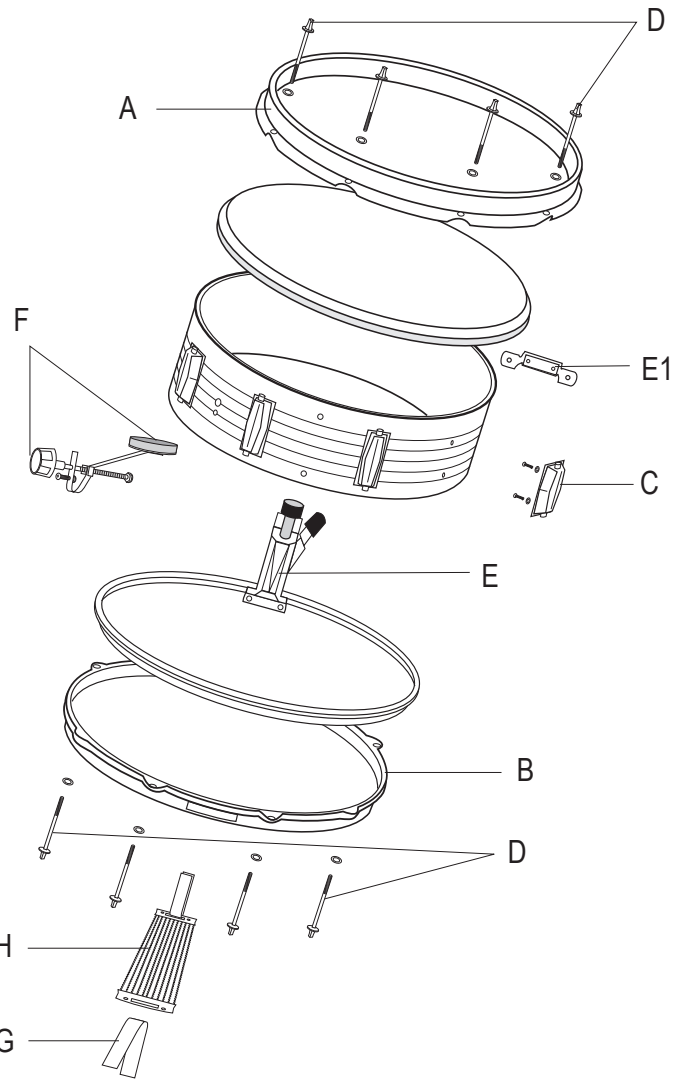




# #3675 Snare Drum Kit

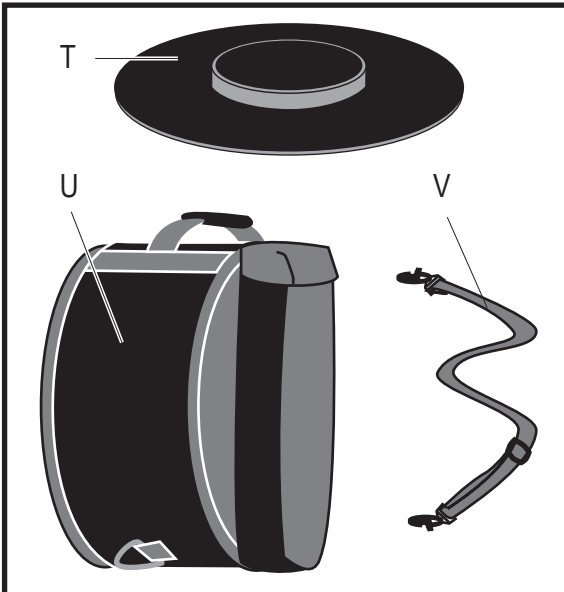
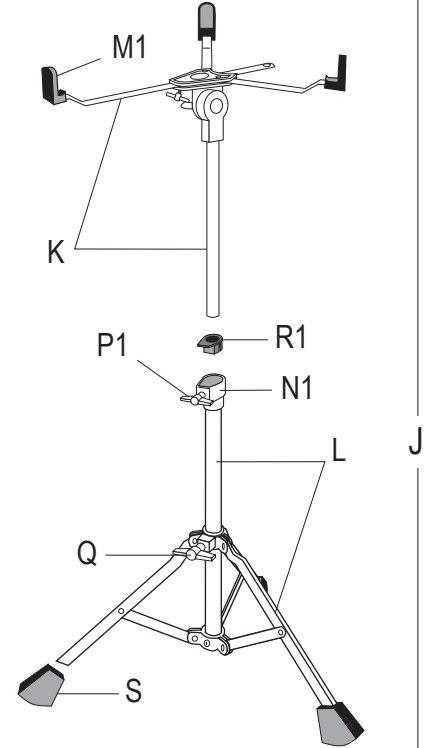
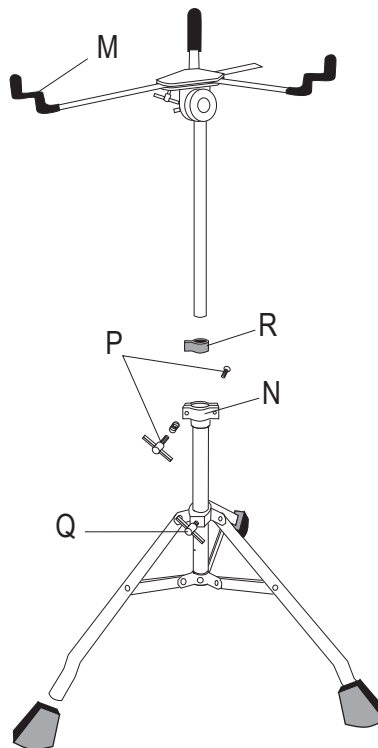
part #	description
A #4958	14" Batter Hoop (8 lug)
B #4959	14" Snare Hoop (8 lug)
C #ISO23	Tension Casing (each)
D #4630	Key Tension Rod w/ washer (each)
E #CBE-77	Throw-Off
* E1 #SC-SSBE	Butt
* F #CBE-60	Internal Tone Control
* G #SC-NSC	Nylon Snare Strip (4 pack)
H #SC-4459	Snares (16 strand)
J #3675STD	Stand (complete)
K #CBE-28	Stand Top (complete)
L #CBE-29	Stand Tripod Base (complete)
M #CBE-33	Small Rubber Sleeves, 3 qty (pre-2003 manuf.)
M1 #CBE-33A	Rubber Sleeves, 3 qty (post-2003 manuf.)
N #CBE-67	Height Adjustment Collar (pre-2003 manuf.)
N1 #CBE-67A	Height Adjustment Collar (post-2003 manuf.)
P #CBE-30	Height Adj. Screw & Wing Bolt (pre-2003 manuf.)
P1 #CBE-30A	Height Adj. Wing Screw (post-2003 manuf.)
Q #CBE-31	Wing Screw for Tripod Base
R #CBE-54	Nylon Bushing (pre-2003 manuf.)
R1 #CBE-54A	Nylon Bushing (post-2003 manuf.)
S #CBE-32	Rubber Feet (3 qty)
T #4288	14" Gladstone Style Practice Pad
U #3675B	Backpack Bag w/ Straps
V #CBE-27	Shoulder Straps (2 qty)

\*Asterisk indicates parts only available through your sales agent - consult Gibraltar Service Center Catalog



**Pre- 2003**

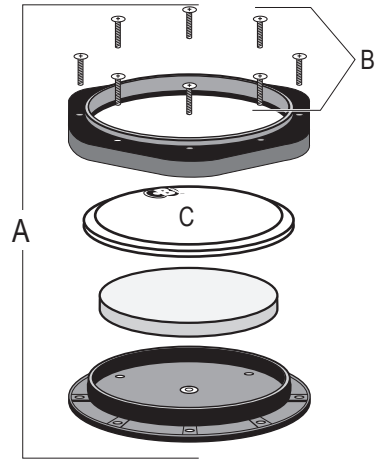
**Post- 2003**





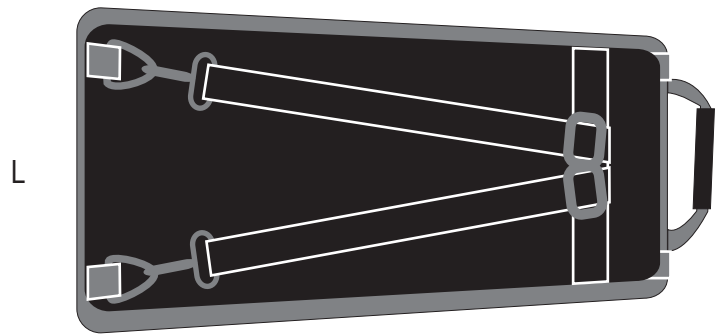
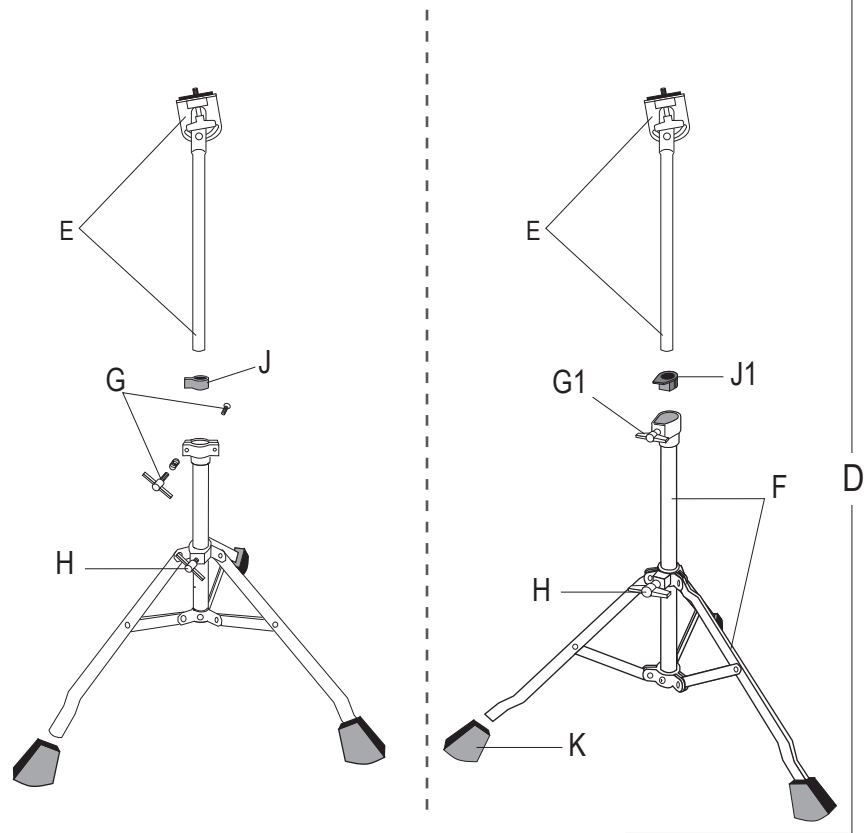
# #3650 Practice Pad Kit

part #	description
A #4290	8" Tunable Practice Pad
B #CBE-09	Screw Set for Practice Pad (8 qty)
C #4290RH	Practice Pad Head
D #3650STD	Stand (complete)
E #CBE-52	Stand Top (complete)
F #CBE-58	Stand Tripod Base (complete)
G #CBE-30	Height Adj. Screw & Wing Bolt (pre-2003 manuf.)
G1 #CBE-30A	Height Adj. Wing Screw (post-2003 manuf.)
H #CBE-31	Wing Screw for Tripod Base
J #CBE-54	Nylon Bushing (pre-2003 manuf.)
J1 #CBE-54A	Nylon Bushing (post-2003 manuf.)
K #CBE-32	Rubber Feet (3 qty)
L #3650B	Backpack Bag



## Pre- 2003

## Post- 2003



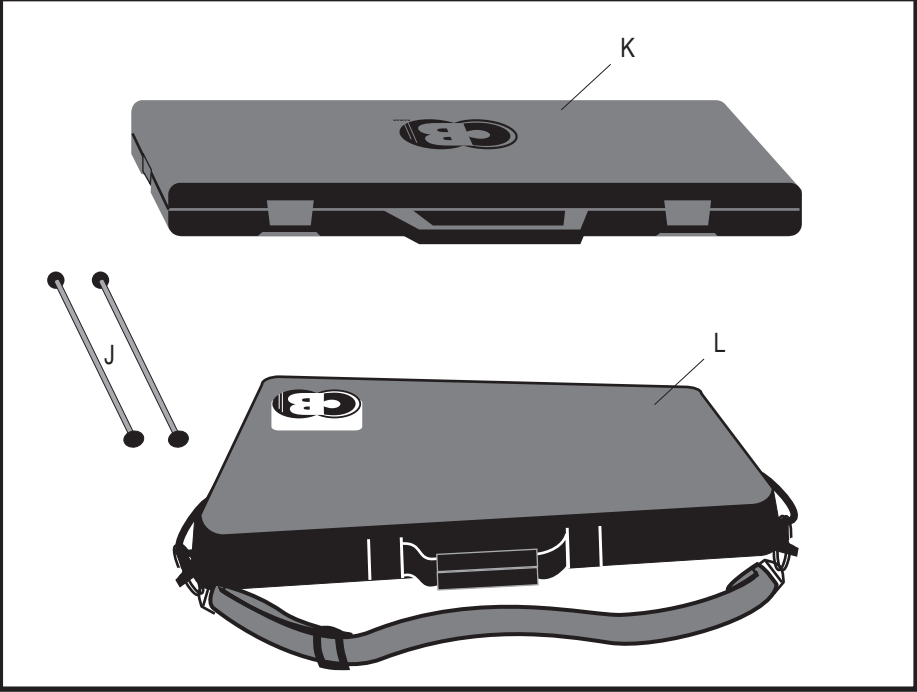
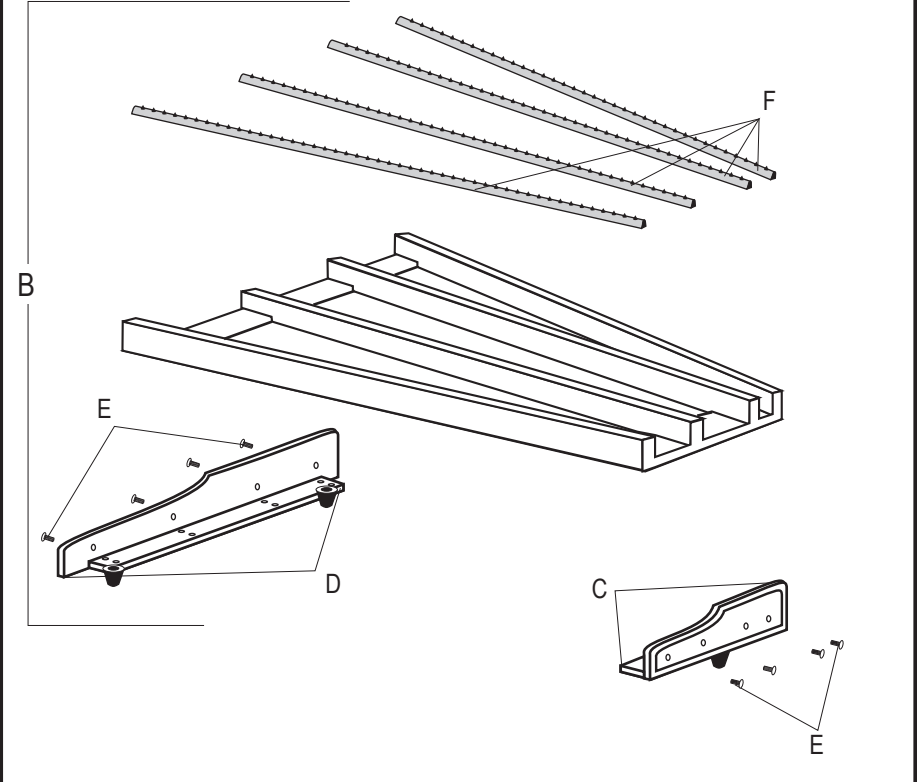
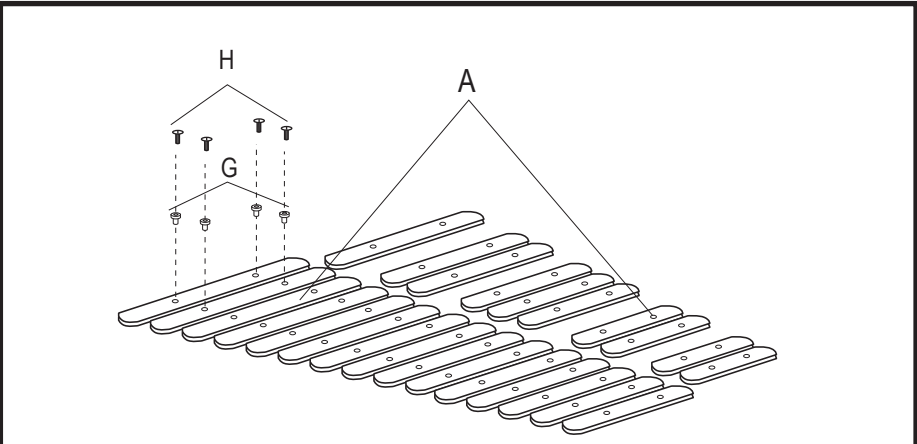


# #6854 / #6855 Bell Kits

part # description  
 A #68BB Individual Bars (order by note & number - below)

A#	C#	d#	f#	g#	a#	c#	d#	f#	g#	a#				
1	1	1	1	2	2	2	2	2	3	3				
A	B	C	d	e	f	g	a	b	c	d	e	f	g	a
1	1	1	1	1	1	2	2	2	2	2	2	2	3	3

- B #CBE-40 Frame (complete)
- C #CBE-62 Short ABS End Plate, 5-1/8"
- D #CBE-61 Long ABS End Plate, 10-1/4"
- E #CBE-63 End Plate Screws (each)
- F #CBE-64 Neoprene Strips (each)
- G #CBE-38 Grommets (each) (need 50 pieces)
- H #CBE-39 Screws (each) (need 50 pieces)
  
- J #3343 Duo-Tone Mallets (1 pair)
- K #C2204M Molded Case for #6854 Bell Kit
- L #6855B Nylon Carry Bag for #6855 Bell Kit





# #6853 Bell Kit

part # description

A #68BB Individual Bars (order by note & number - below)

C <sup>#</sup>	d <sup>#</sup>	f <sup>#</sup>	g <sup>#</sup>	a <sup>#</sup>	c <sup>#</sup>	d <sup>#</sup>	f <sup>#</sup>				
1	1	1	2	2	2	2	2				
C	d	e	f	g	a	b	c	d	e	f	g
1	1	1	1	2	2	2	2	2	2	2	3

- B #CBE-34 Frame (without end plates)
- C #CBE-63 End Plate Screws (each)
- D #CBE-64 Neoprene Strips (each)
- E #CBE-38 Grommets (each) (need 40 pieces)
- F #CBE-39 Screws (each) (need 40 pieces)
- G #3343 Duo-Tone Mallets (1 pair)
- H #6853B Nylon Carry Bag

